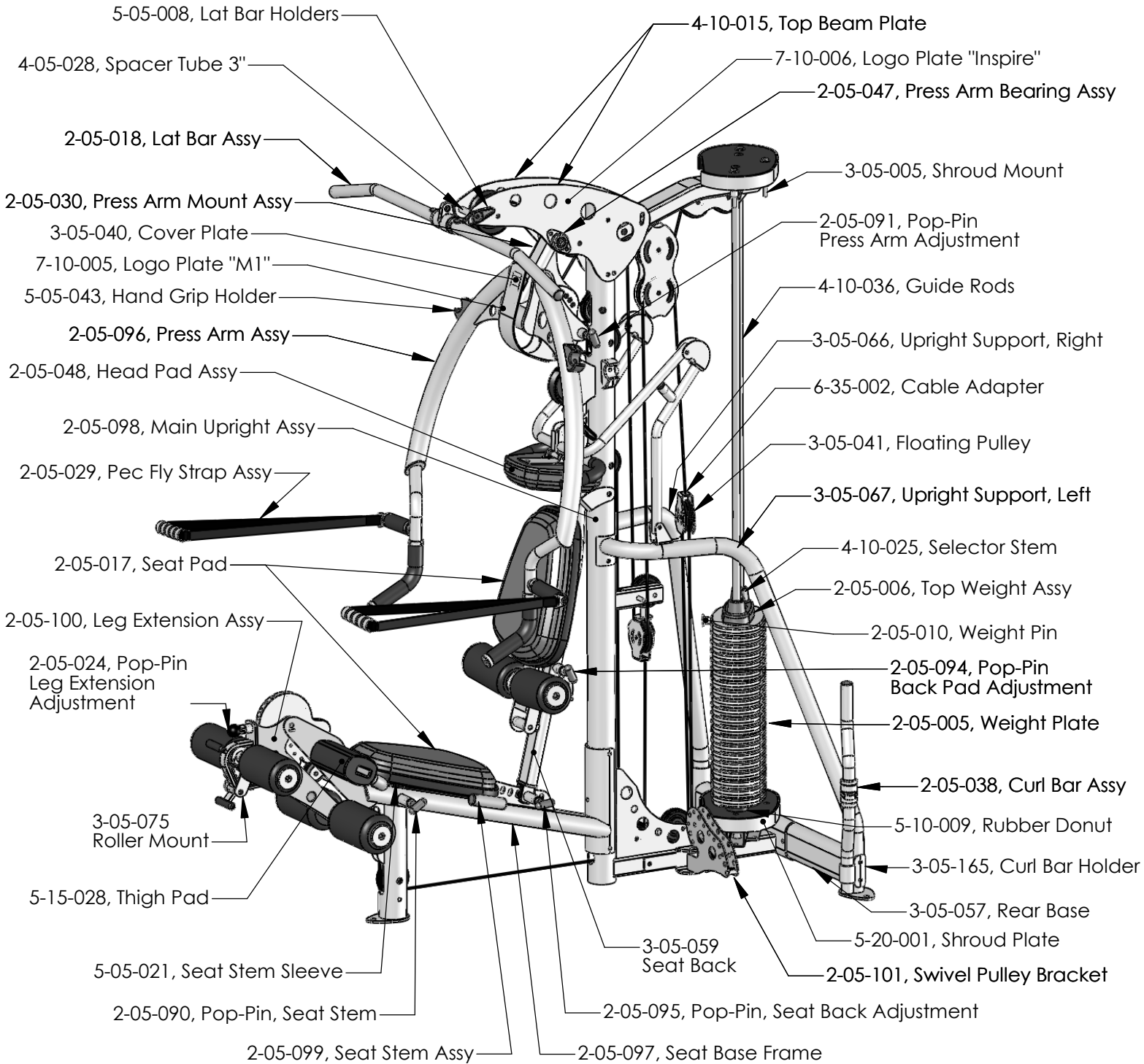


M3 Part Numbers

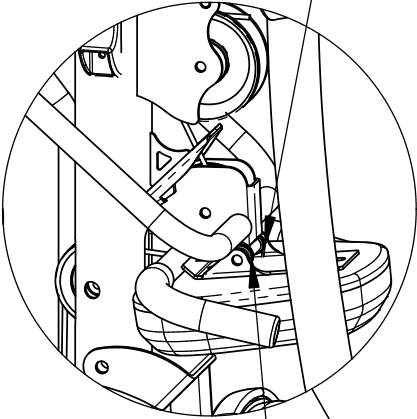
Sheet 1 of 2



M3 Part Numbers

Sheet 2 of 2

6-25-003
Torsion Spring, Left



6-25-002
Torsion Spring, Right

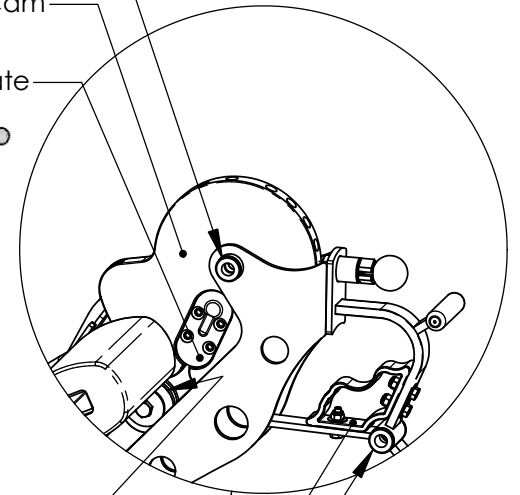
Parts Not Shown

2-05-085, Ankle Strap Assy
2-05-039, D-Handle Assy

6-30-007
Bushing

4-20-006
Leg Extension Cam

4-10-007
Cam Plate



6-35-007
Upper Cable

6-35-008
Middle Cable

6-30-008
Bushing, Step

3-05-054
AB Frame Arm

3-05-052
AB Frame Assy

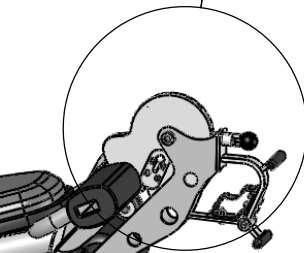
6-30-006
Bushing

5-05-028
Pulley

5-05-016
Leg Extension
Ratchet

6-35-009
AB Crunch Cable

7-10-001
M3 Back Pad Cam Label
(Applied to Opposite Side)



2-05-049
Foam Roller w/ Tube

4-20-004
End Cap

5-05-017, Guard Selector Plate

5-15-043
Foam Roller

5-05-020
Plastic Washer

6-35-007
Leg Extension Cable