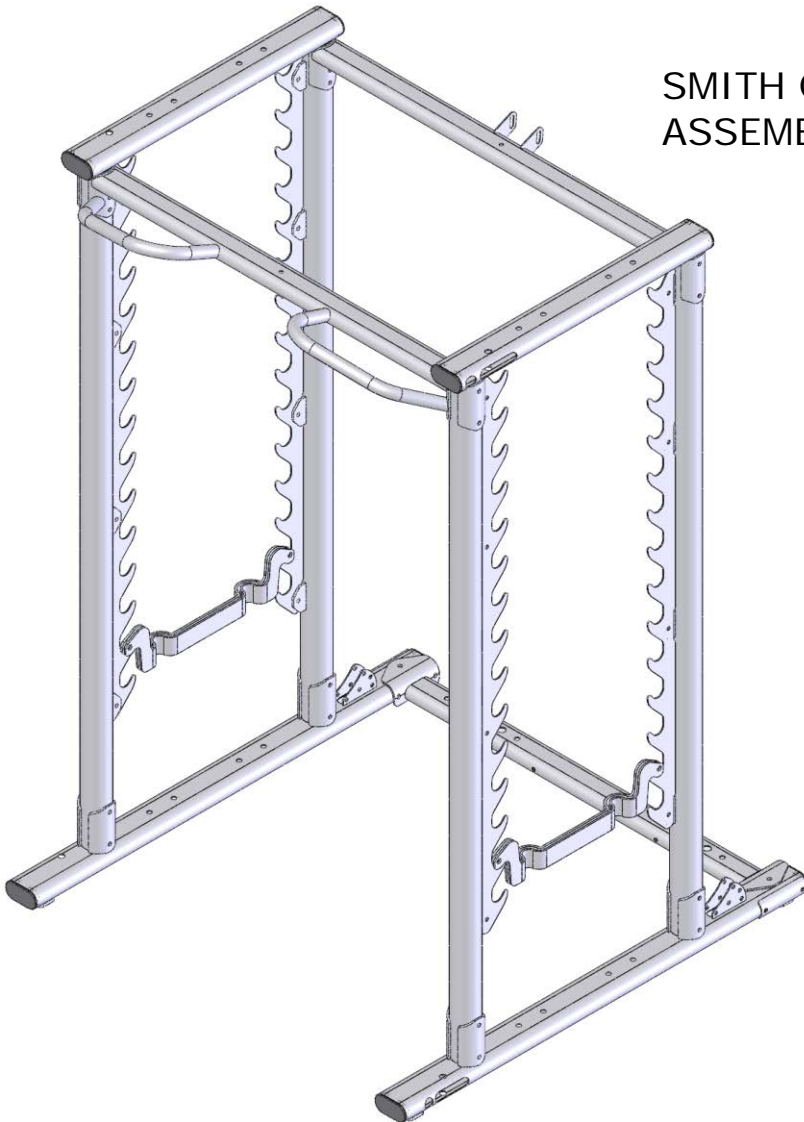


SCS-002

INSPIRE

SMITH CAGE MAIN FRAME
ASSEMBLY AND OPERATION MANUAL



- * USE THIS MANUAL IF YOU ARE ASSEMBLING ONLY THE SCS-002.
- * DO NOT USE THIS MANUAL IF YOU ARE ASSEMBLING THE SCS-002 WITH SCS-202. USE ONLY THE SCS-202 MANUAL TO AVOID HAVING TO REMOVE PREVIOUSLY INSTALLED PARTS.

RECORD SERIAL NUMBER HERE

CONGRATULATIONS... You've just taken the first step to a healthier and stronger body. This Smith Cage System by Inspire Fitness offers the key to unlocking your body's potential. Regular strength training has been shown to deliver a host of benefits including: increased muscle tone, decreased body fat, improved energy levels, a reduction in stress, and improved cardiac output. Once again, congratulations, you are on your way to improving your self image, overall health, and quality of life.

BEFORE ASSEMBLING SMITH CAGE SYSTEM

CAUTION: Two people are required to assemble the Smith Cage System to ensure that parts do not fall that could result in injury to the persons assembling the gym.

IMPORTANT: Read this entire manual before attempting to build or use this equipment. This manual contains step by step instructions for proper assembly.

Use the parts list included in this manual to verify that all parts are accounted for before assembly. If any parts are missing, contact the retailer of this Smith Cage System for replacement parts. Or, call Inspire Fitness at 877-738-1729.

Make sure that adequate room has been cleared before attempting to build your Smith Cage System. A rubber mat is recommended for use under your Smith Cage System to protect wood flooring or carpeting from damage during assembly and usage.

This Smith Cage System is intended for indoor use only. In addition, garages and screened in porches are not recommended due to high humidity or dust. Rust could form on certain parts, including guide rods, in a humid environment resulting in impaired function.

Service of your Smith Cage System should only be performed by an authorized Inspire Fitness retailer. Service performed by anyone else can result in loss of warranty. If you need help finding an authorized retailer, please contact us directly:

Inspire Fitness
4945 East Hunter Avenue
Anaheim, CA 92807
Ph: 877-738-1729
Fx: 714-738-1728
www.inspirefitness.net

TABLE OF CONTENTS

Section Description.....	Page
Important Safety Instructions.....	1
Tools Required.....	1
Parts & Hardware List.....	2
Assembly Instructions.....	3
Exploded view.....	10
Decal Reference.....	11
Decal Placement.....	12
Options, Training Tips.....	13
Maintenance Schedule.....	14
Limited Warranty.....	15

IMPORTANT SAFETY INSTRUCTIONS

Please read this entire manual and familiarize yourself with all decals and warnings before using this Smith Cage System.

- **WARNING!** It is necessary to inspect this Smith Cage System regularly to maintain safety and proper function. Please use the maintenance schedule included towards the back of this manual. Immediately replace any and all defective or worn parts. Pay special attention to moving parts and connections to accessories. See General Maintenance section for complete details.
- Use this Smith Cage System for its intended purpose as described in this Operation Manual or the exercise chart. Do not use attachments not recommended by the manufacturer.
- Make sure bystanders are at least 5 feet away from the Smith Cage System while it is in use.
- Keep children off the Smith Cage System at all times.
- Keep the Smith Cage System away from walls and clear of any obstructions and furniture.
- Stop immediately if you experience shortness of breath, pain, or dizziness during your workout. Inspire Fitness strongly recommends consulting your doctor before starting an exercise program.

TOOLS REQUIRED FOR ASSEMBLY

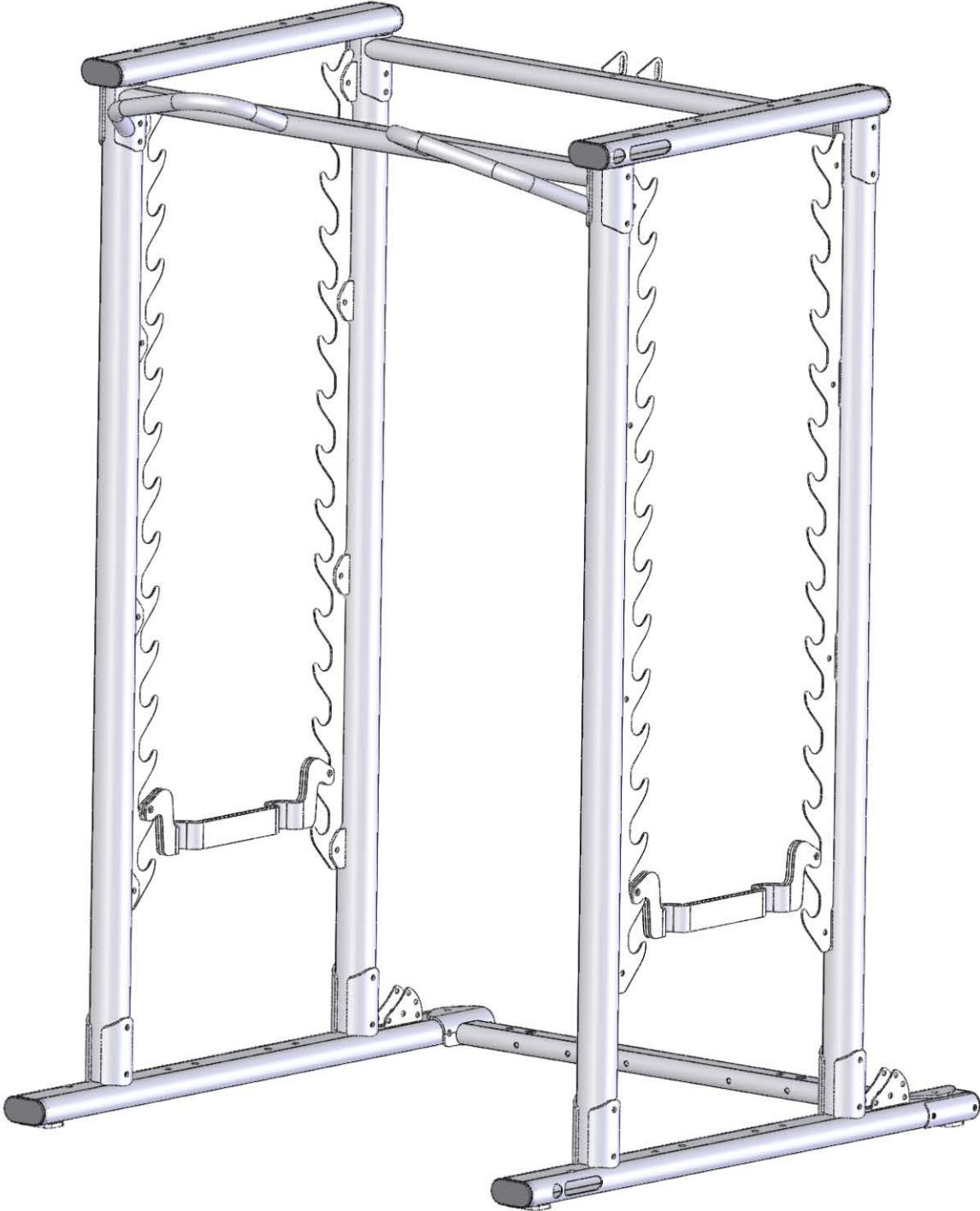
- Metric socket set (including 16mm, 17mm, 18mm, and 19mm sockets)
- Metric Wrenches – 16mm, 17mm, 18mm, 19mm
- Metric Tape Measure
- Rubber Mallet
- Adjustable Wrench

PARTS & HARDWARE LIST

Item	Parts Description SCS-002 Box	Qty	Evs Code
1	Main Upright	4	
2	Base Beam, Left	1	
3	Base Beam, Right	1	
4	Weight Stack Mount	1	
5	Base Beam Bracket	2	
6	Top Beam, Right	1	
7	Top Beam, Left	1	
8	Pull-Up Cross Brace	1	
9	Rear Cross Brace	1	
10	Weight Racks	4	
11	Plastic End Caps	8	
12	Safety Bars	2	
13	Touch-up Paint	1	

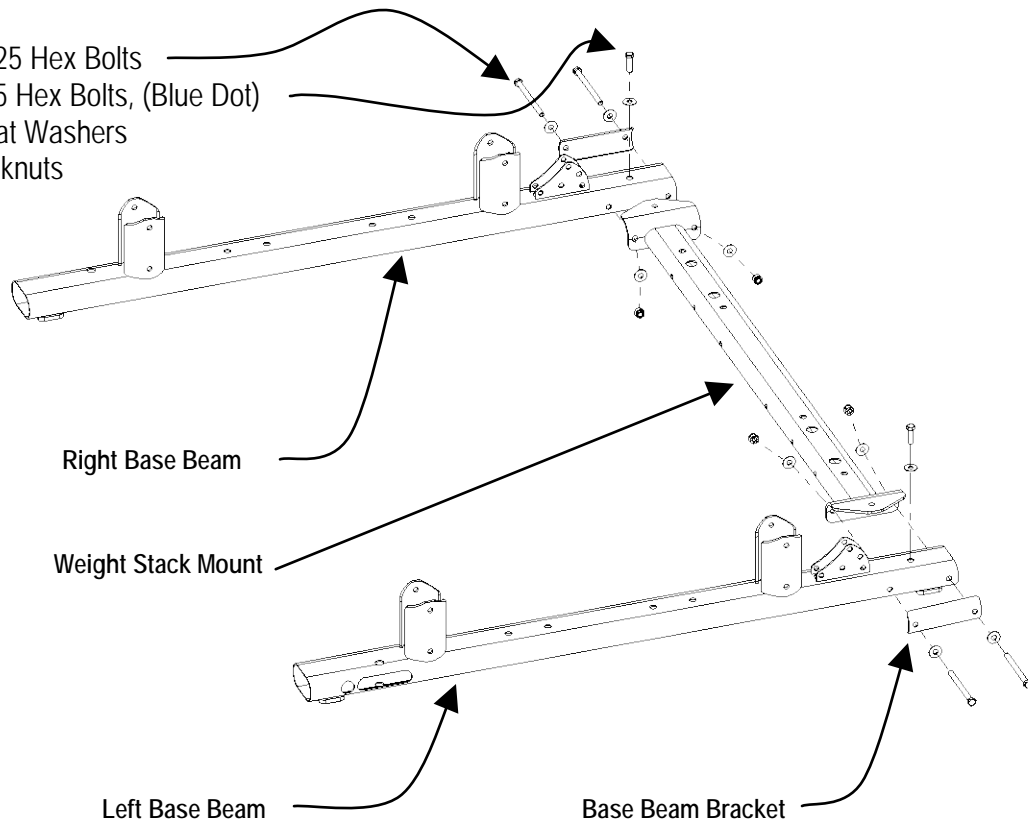
Item	Hardware in SCS-002 Box	Qty	Evs Code
1	Bolt, M8 x 20	4	
2	Bolt, M10 x 25 (Blue dot)	2	
3	Bolt, M10 x 25	16	
4	Bolt, M10 x 100 (Blue dot)	4	
5	Bolt, M10 x 105	12	
6	Bolt, M10 x 110	8	
7	Bolt, M10 x 125	4	
8	M8 Washer	4	
9	M10 Washer	70	
10	M10 Locknut	32	

ASSEMBLY INSTRUCTIONS



Step 1

- 4 - M10 x 125 Hex Bolts
- 2 - M10 x 25 Hex Bolts, (Blue Dot)
- 10 - M10 Flat Washers
- 4 - M10 Locknuts

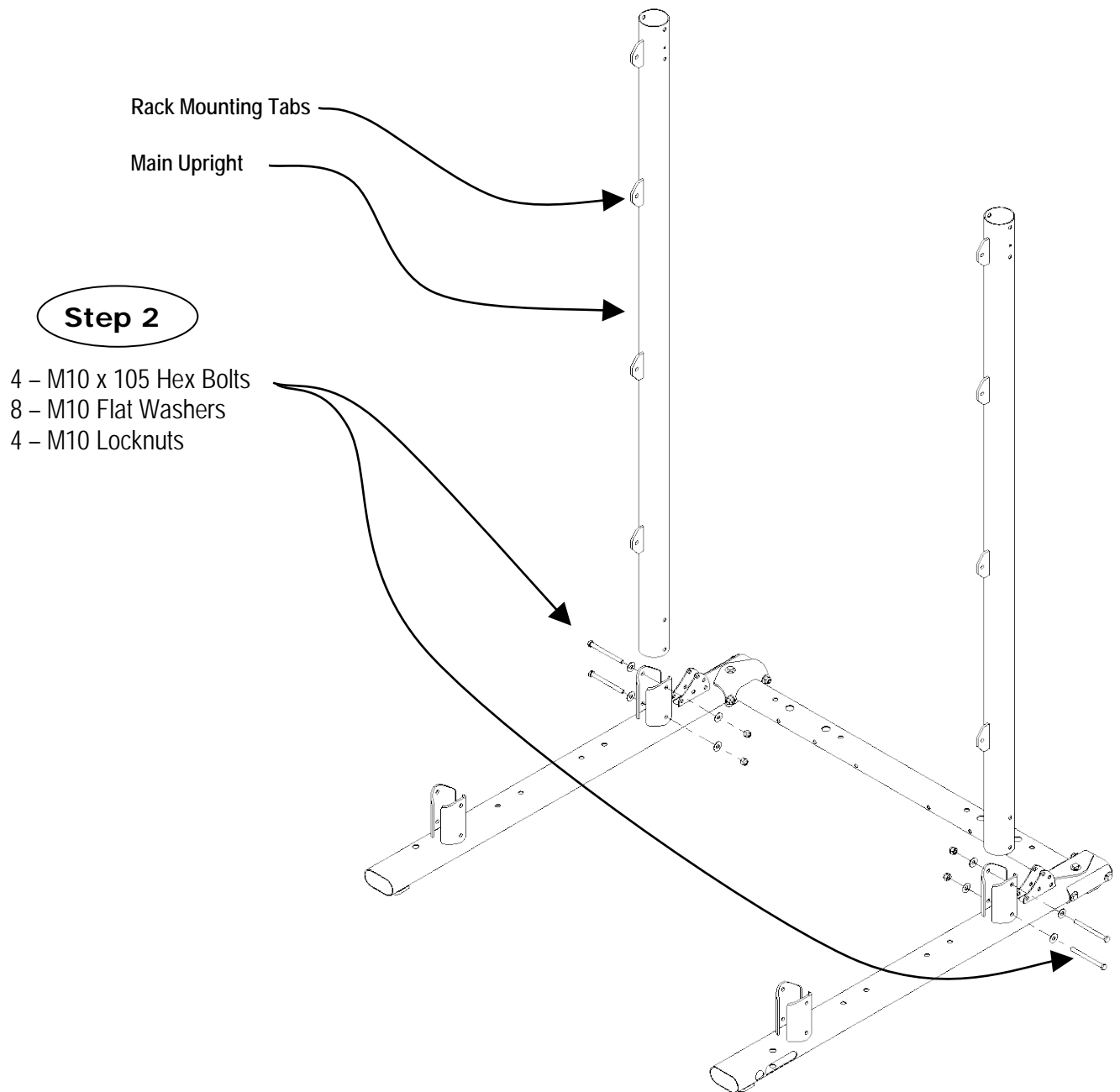


Step 1: Attach the Right Base Beam, Left Base Beam, Weight Stack Mount, and two Base Beam Brackets using:

Four (M10 x 125 Hex Bolts)
Two (M10 x 25 Hex Bolt With Blue Dot)
Ten (M10 Flat Washers)
Four (M10 Locknuts)

Note: “(Blue Dot)” means there is a blue dot of thread locking compound on the bolt thread.

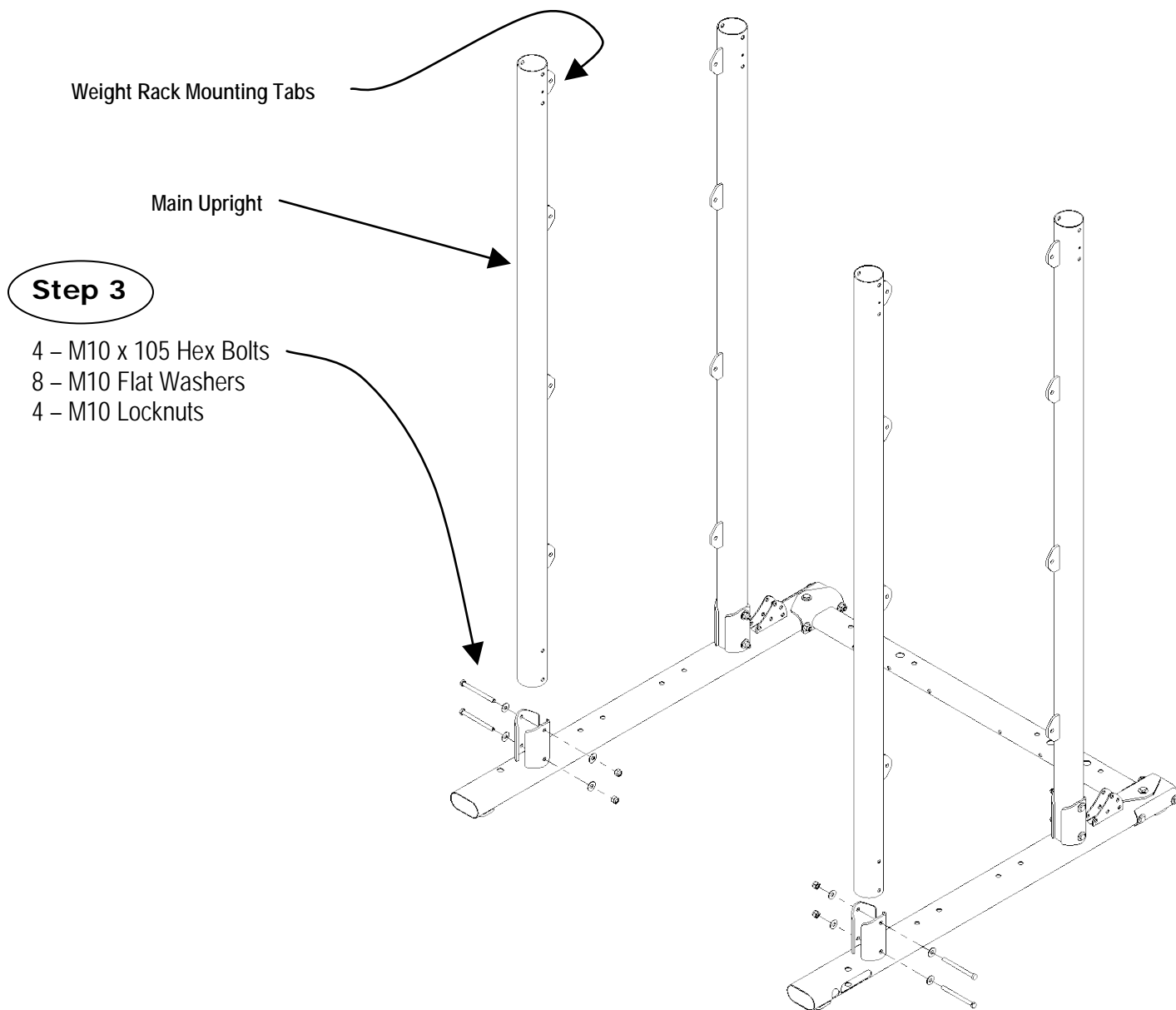
(Finger Tighten Only)



Step 2: Attach two Main Uprights to the rear of the Left and Right Base Beams (orient all Uprights with the four Weight Rack Mounting tabs toward the middle of the machine and near the top) using:

Four (M10 x 105 Hex Bolts)
Eight (M10 Flat Washers)
Four (M10 Locknuts)

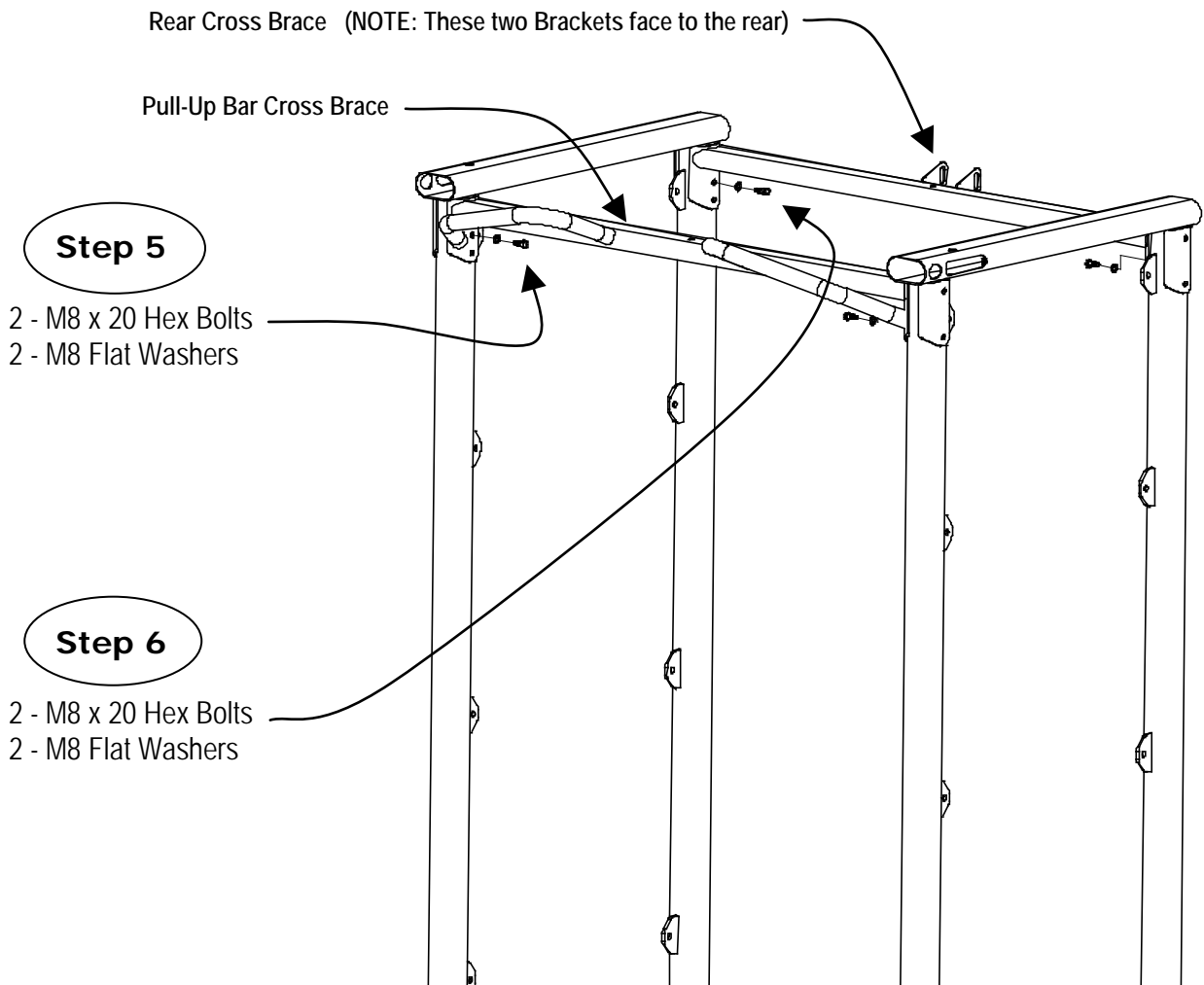
(Finger Tighten Only)



Step 3: Attach two Main Uprights to the front of the Left and Right Base Beams (orient all Uprights with the four Weight Rack mounting tabs toward the middle of the machine and near the top) using:

(Finger Tighten Only)

**Four (M10 x 105 Hex Bolts)
Eight (M10 Flat Washers)
Four (M10 Locknuts)**



Step 4: This step has been deleted.

Step 5: Attach the Rear Cross Brace to the top of the Rear Main Uprights using:

Two (M8 x 20 Hex Bolts)
Two (M8 Flat Washers)

(Finger Tighten Only)

Step 6: Attach the Pull-Up Bar Cross Brace to the top of the front Main Uprights using:

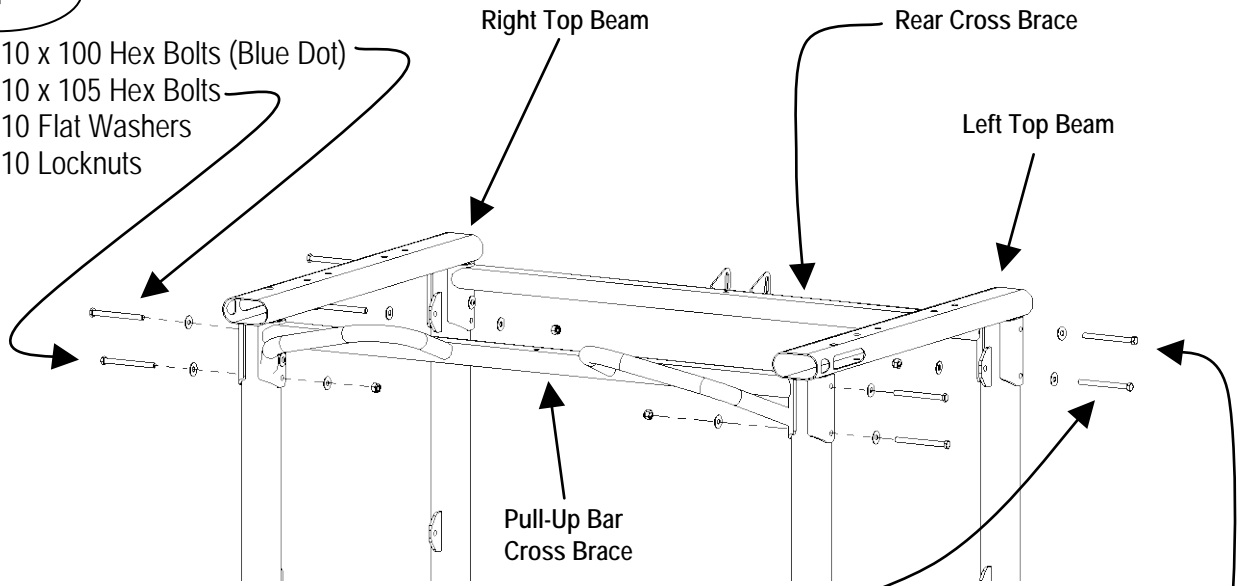
Two (M8 x 20 Hex Bolts)
Two (M8 Flat Washers)

Assure the two tabs in the center of the Rear Cross Brace are facing towards the back of the machine.

(Finger Tighten Only)

Step 7

- 2 – M10 x 100 Hex Bolts (Blue Dot)
- 2 – M10 x 105 Hex Bolts
- 6 – M10 Flat Washers
- 2 – M10 Locknuts



Step 8

- 2 – M10 x 100 Hex Bolts (Blue Dot)
- 2 – M10 x 105 Hex Bolts
- 6 – M10 Flat Washers
- 2 – M10 Lock Nuts

Step 7: Attach the Right Top Beam to the Main Uprights and secure it to the Pull-Up Cross Brace and the Rear Cross Brace. The “Blue Dot Bolts” are used in the top positions, using:

- Two (M10 x 100 Hex Bolts with Blue Dot)**
- Two (M10 x 105 Hex Bolts)**
- Six (M10 Flat Washers)**
- Two (M10 Locknuts)**

(Finger Tighten Only)

Step 8: Attach the Left Top Beam to the Main Uprights and secure it to the Pull-Up Cross Brace and the Rear Cross Brace. The “Blue Dot Bolts” are used in the top positions, using:

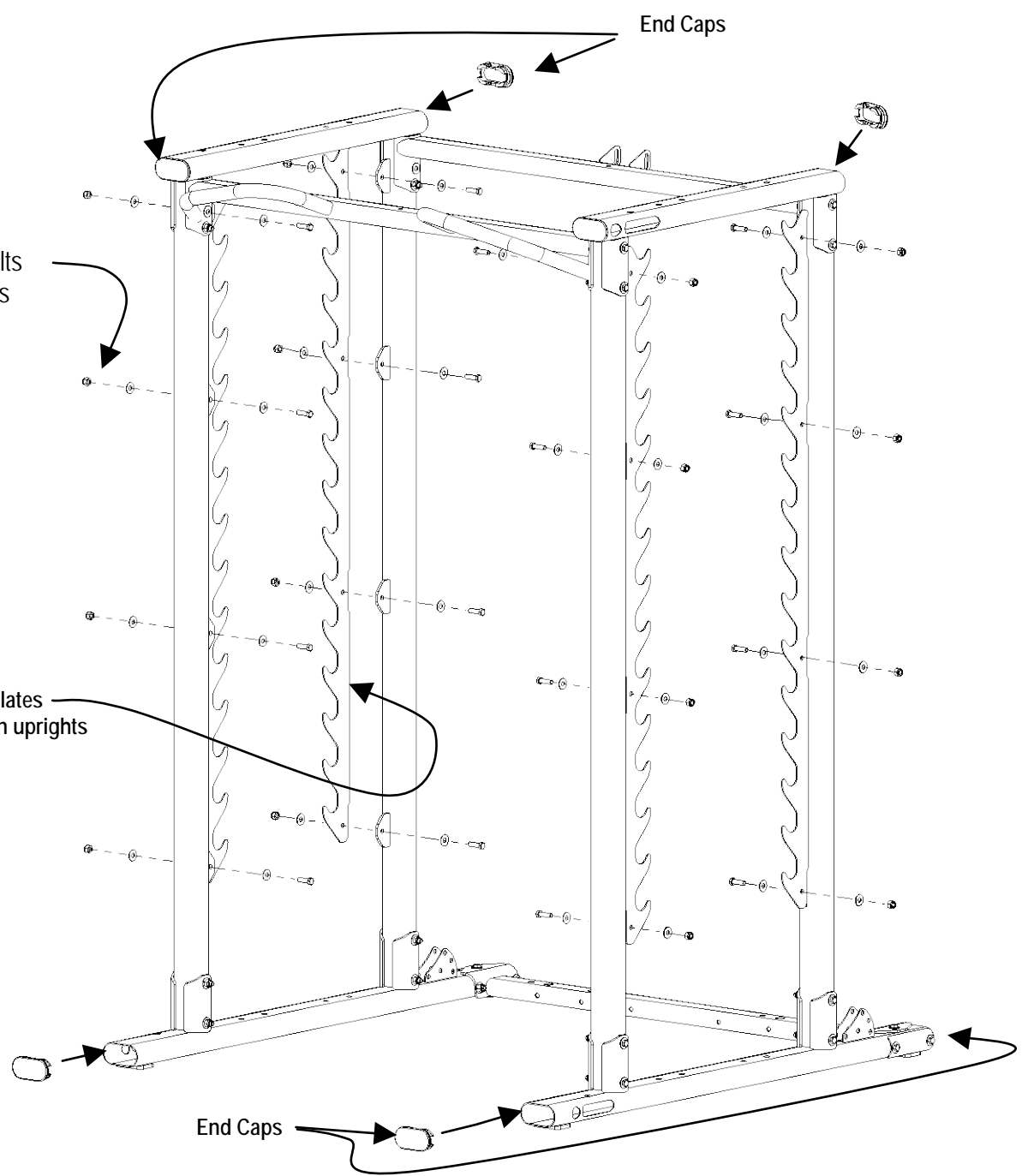
- Two (M10 Hex Bolts with Blue Dot)**
- Two (M10 x 105 Hex Bolts)**
- Six (M10 Flat Washers)**
- Two (M10 Locknuts)**

(Wrench Tighten Steps 1 Through 8 Now)

Step 9

- 16 - M10 x 25 Hex Bolts
- 32 - M10 Flat Washers
- 16 - M10 Locknuts

Bolt Weight Rack Plates to outside of tabs on uprights



Step 9: Attach the four Weight Rack Plates onto the outer sides of the mounting tabs on the Main Uprights with the "Hooks" pointing up using:

**Sixteen (M10 x 25 Hex Bolts)
Thirty Two (M10 Flat Washers)
Sixteen (M10 Locknuts)**

Install the eight End Caps into the front and back of the Top and Base Beams.

(Wrench Tighten Now)

EXPLODED VIEW

Exploded View not available at this time.

Please contact customer service at 1-877-738-1728 for assistance or a copy.

DECAL REFERENCE

NOTICE				
<i>This INSPIRE product is not intended for commercial use.</i>				
IN HOME MAINTENANCE	Weekly	3 Months	Yearly	2 Years
Inspect; Links, Pull Pins, Snap Locks, Swivels, Weight Stack Pins	X			
Clean; Upholstery	X			
Inspect; Cables and their fittings	X			
Inspect tightness of all shrouds	X			
Inspect; Accessory Bars and Handles		X		
Inspect; All Decals		X		
Inspect; All nuts and Bolts Tighten if Needed.		X		
Inspect; Anti-Skid Surfaces		X		
Clean & Lubricate; Guide Rods with a Teflon(PTFE) based lubricant (Superlube)		X		
Lubricate; Seat Sleeves and all plastic slides		X		
Clean & Wax; All Glossy Finishes			X	
Replace; Cables, Belts and Connectin Parts.				X

INSPIRE™
 BY HEALTH IN MOTION LLC
 877-738-1729
www.inspirefitness.net
 Serial # 4-05-05-00001

This product covered by one or more of the following US Patents and others pending: 5,330,405; 5,944,641; 5,961,427; 7,645,217; 7,722,513; 7,837,600; 7,905,818; 8,096,929; **8,870,718.**

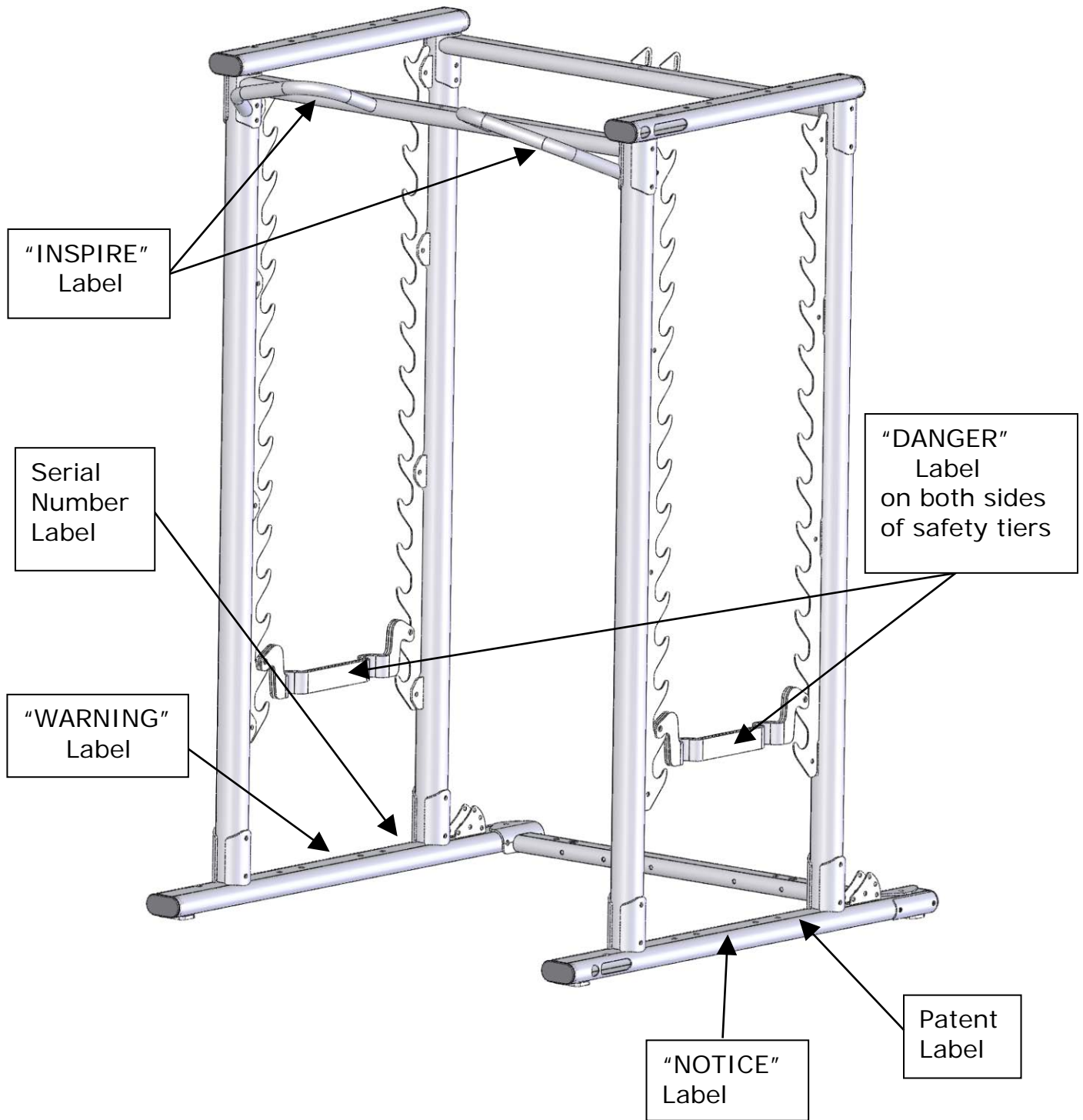
⚠ WARNING

USE ONLY GENUINE INSPIRE REPLACEMENT PARTS. FAILURE TO DO SO WILL VOID WARRANTY AND COULD RESULT IN SERIOUS INJURY. THERE IS A RISK ASSUMED BY INDIVIDUALS WHO USE THIS TYPE OF EQUIPMENT. TO MINIMIZE THE RISK, ALWAYS FOLLOW THESE RULES.

1. READ & UNDERSTAND ALL ENCLOSED INSTRUCTIONS BEFORE USING THIS EQUIPMENT.
2. INSPECT EQUIPMENT BEFORE EACH USE. Replace parts that show any wear or damage. If in doubt about a certain part, DO NOT use the equipment until the part is replaced. Failure to replace worn or damaged parts may result in injury.
3. FOLLOW MAINTENANCE SCHEDULE on the "NOTICE" sticker
4. CONSULT YOUR PHYSICIAN BEFORE STARTING ANY EXERCISE PROGRAM. Warm up properly before exercising. Stop exercising if you feel faint or dizzy.
5. TO PREVENT THE POSSIBILITY OF SERIOUS INJURY, KEEP CLEAR OF ALL MOVING PARTS. DO NOT ATTEMPT TO FREE ANY JAMMED PART BY YOURSELF. Obtain assistance in order to avoid possible injury.
6. Take your time and do not rush exercise. Practice proper breathing, NEVER hold your breath.
7. CHILDREN SHOULD NOT BE ALLOWED TO USE THIS EQUIPMENT. To avoid possible injury, children should be kept at a safe distance when this equipment is in use. Teenagers should not use this equipment without adult supervision.
8. CALL YOUR AUTHORIZED INSPIRE DISTRIBUTOR if you have any questions on the proper use or maintenance of this equipment.



DECAL PLACEMENT



Smith Cage System OPTIONS

- SCS-102 (SMITH MACHINE OPTION)
- SCS-202 (CABLE COLUMN OPTION)
- Two Heavy Stacks (50lbs. each) TO BE USED WITH SCS-202 OPTION ONLY
- Ab Crunch Bar TO BE USED WITH SCS-202 OPTION ONLY

Training Tips

CONSULT A PHYSICIAN BEFORE STARTING ANY EXERCISE PROGRAM

1. **Always warm up** before you start weight training. This helps get your muscles warm and prevents injury. You can warm up with light cardio or by doing a light set of each exercise before going to heavier weights.
2. **Control the weight.** Always work with a weight that you can handle through a full range of motion. Slow and steady movements are recommended.
3. **Breathe.** Don't hold your breath during your set. Holding your breath builds internal pressure which increases your chance for broken blood vessels, as well as a hernia.
4. **Sit up straight.** Pay attention to your posture and keep everything straight. Engage your abs in every movement to keep balanced and protect your spine.

GENERAL MAINTENANCE INFORMATION

THOUGH THE SMITH CAGE IS VIRTUALLY MAINTENANCE FREE, YOU MUST ADHERE TO THE FOLLOWING WARNINGS AND MAINTENANCE SCHEDULE:

Warning:

- Regularly inspect product for loose or damaged hardware. Replace damaged parts or hardware immediately.
- Do not use or store equipment outdoors.
- Locate and familiarize yourself with all warning decals.

MAINTENANCE SCHEDULE

ROUTINE	HOME MAINTENANCE	ENTRY DATE										
Inspect: All Nuts and Bolts. Tighten if Needed	3 Months											
Inspect: All Decals	3 Months											
Clean and Wax: All Glossy Surfaces	Yearly											

INSPIRE

Warranty.

This Warranty applies to Inspire Strength products manufactured or distributed by Health In Motion LLC.

CONSUMER USE:

LIMITED LIFETIME FRAME:

Includes Frame and Welds

LIMITED LIFETIME PARTS:

Includes Upholstery, Hardware, etc.

LIMITED LIFETIME MOVING PARTS:

Includes Pulleys, Cables, etc.

LIGHT-COMMERCIAL USE:

LIMITED LIFETIME FRAME:

Includes Frame and Welds

10 YEAR PARTS:

Includes Upholstery, Hardware, etc.

10 YEAR MOVING PARTS:

Includes Pulleys, Cables, etc.

PLEASE NOTE THAT NOT ALL INSPIRE PRODUCTS ARE MADE FOR LIGHT-COMMERCIAL USE

Refer to your Owner's Manual or consult with you fitness product dealer to establish if a Product is made for light-commercial use or not. Using a non-commercial product in a commercial setting can result in serious injury or death!

Health In Motion warrants that the Product you have purchased for light-commercial, personal, family or household use from Health In Motion LLC or from an authorized Health In Motion reseller is free from defects in materials or workmanship under normal use during the warranty period. Your sales receipt, showing the date of purchase of the Product, is your proof of the date of purchase. This warranty extends only to you, the original purchaser. It is not transferable to anyone who subsequently purchases the Product from you. It excludes expendable parts such as paint and finish. This Warranty becomes VALID ONLY if the Product is assembled / installed according to the instructions / directions included with the Product.

Replacement and repair of parts.

During the warranty period Health In Motion will, at no additional charge, repair or replace the Product if it becomes defective, malfunctions, or otherwise fails to conform with this Warranty under normal light-commercial, personal, family, or household use. In repairing the product Health In Motion may replace defective parts with, at the option of Health In Motion, serviceable used parts that are equivalent to new parts in performance, or new parts. All exchanged parts and Products replaced under this warranty will become the property of Health In Motion. Health In Motion reserves the right to change manufacturers and or specification of any part to cover any existing warranty.

Service procedures.

To obtain warranty parts, you must return the parts to Health In Motion or an authorized Health In Motion retailer in its original container (or equivalent). You must pre-pay any shipping charges, taxes, or any other charges associated with transportation of the Product. In addition, you are responsible for insuring any Product shipped or returned. You assume the risk of loss during shipment. You must present Health In Motion with proof-of-purchase documents (including the date of purchase, Model, and Serial Number). Any evidence of alteration, erasing or forgery of proof - of-purchase documents will be cause to void this Warranty. Register your warranty online visit www.inspirefitness.net

Conditions and Exceptions.

This Warranty does not extend to any Product not purchased from Health In Motion LLC or from an authorized Health In Motion reseller. This Warranty does not extend to any Product that has been damaged or rendered defective; (a) as a result of accident, misuse, or abuse; (b) by the use of parts not manufactured or sold by Health In Motion; (c) by modification of the Product; (d) as a result of service by anyone other than Health In Motion, or an authorized Health In Motion warranty service provider; (e) product that has not been properly maintained (follow maintenance schedule found on product). Should any product submitted for Warranty service be found to be ineligible, an estimate of repair cost will be furnished and the repair will be made if requested by you upon Health In Motion receipt of payment or acceptable arrangement of payment.

Disclaimer

EXCEPT AS EXPRESSLY SET FORTH IN THIS WARRANTY HEALTH IN MOTION MAKES NO OTHER WARRANTIES; EXPRESSED OR IMPLIED INCLUDING ANY IMPLIED WARRANTIES OF MERCHANTABILITY AND FITNESS FOR A PARTICULAR PURPOSE. HEALTH IN MOTION EXPRESSLY DISCLAIMS ALL WARRANTIES NOT STATED IN THIS WARRANTY. ANY IMPLIED WARRANTIES THAT MAY BE IMPOSED BY LAW ARE LIMITED TO THE TERMS OF THIS WARRANTY. NEITHER HEALTH IN MOTION NOR ANY OF ITS AFFILIATES SHALL BE RESPONSIBLE FOR INCIDENTAL OR CONSEQUENTIAL DAMAGES. HEALTH IN MOTION IS NOT RESPONSIBLE FOR THE REPAIR OR REPLACEMENT OF ANY PARTS THAT HEALTH IN MOTION DETERMINES HAVE BEEN SUBJECTED AFTER THE DATE OF MANUFACTURE TO ALTERATION, NEGLIGENCE, ABUSE, MISUSE, NORMAL WEAR & TEAR, ACCIDENT, DAMAGE DURING TRANSIT OR INSTALLATION, FIRE, FLOOD, OR ANY ACT OF GOD. SOME STATES DO NOT ALLOW LIMITATIONS ON HOW LONG AN IMPLIED WARRANTY LASTS OR THE EXCLUSION OR LIMITATION OF INCIDENTAL OR CONSEQUENTIAL DAMAGES, SO THE ABOVE LIMITATIONS OR EXCLUSION MAY NOT APPLY TO YOU. This Warranty gives you specific legal rights and you may also have other rights that may vary from state to state. This is the only express warranty applicable to Health In Motion's "Inspire" branded strength products. Health In Motion neither assumes nor authorizes anyone to assume for it any other express warranty.